



BMAC[®]
A Grakon Company

Leaders in Road & Rail Lighting Solutions

Always on

424 Series Wireless Bell Push 2.4 Ghz - a Global ready frequency



Warranty



E approved



2.4 Ghz



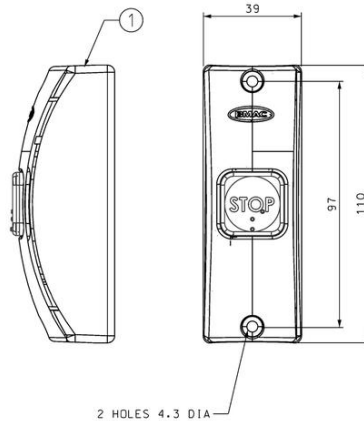
Voltage



Batteryless



Bus Stopping



wireless bell push

Product Features:

- Wireless and battery-less Bell Push.
- No cables.
- Less additional weight.
- Eliminates long periods of the vehicle off the road tracing wiring faults.
- Innovative range of products designed to comply with European EMC directive.
- Button characters are in braille.
- 3 year warranty.
- Suitable for 30mm and 35mm hand rails.
- Single receiver to interface with vehicle electrical system.

+44(0)161 337 3070
enquiries@bmac.ltd.uk



Units 13 & 14 Shepley Industrial Estate South | Shepley Road | Audenshaw | M34 5DW



424 Series Wireless Bell Push

Concept

The 2.4Ghz Wireless Bell Push uses radio transmission to communicate between a passenger bell push and the vehicle mounted receiver. This system features the latest technology operating within a Globally accepted wireless transmission frequency.

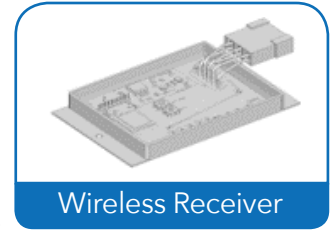
The wireless bell push unit can be mounted on to internal hand rails and can be adapted to be secured to fit on to flat side panel surfaces.

This system incorporates no wires and no batteries. This innovative arrangement interfaces with the vehicle's electrical system, completely eliminating the need for cables.

Functionality

When the Bell Push is pressed, this triggers the energy conversion device which generates a short pulse of electrical energy. This is sufficient for the radio transmitter to transmit a short telegram of information to the receiver. On installation in the vehicle, each Bell Push is assigned to a specific channel on the receiver.

When the receiver detects a Bell Push has been pressed, it sends a signal to the vehicle's electrical system giving details of the operation of a button being pressed and its location on the vehicle. Each channel can be allocated to a specific zone on the vehicle, allowing the vehicle to be partitioned into separate areas. Typically, this would be upper deck, lower deck and wheelchair request.



Part No.	Housing	Orientation	Button Type
424HG	Grey	Horizontal	Red
424HG-02	Grey	Horizontal	Blue
424HY	Yellow	Horizontal	Red
424HY-02	Yellow	Horizontal	Blue
424VG	Grey	Vertical	Red
424VG-02	Grey	Vertical	Blue
424VY	Yellow	Vertical	Red
424VY-01	Yellow	Vertical	Green
424VY-02	Yellow	Vertical	Blue

Part No.	Description	Insert
424-01	Receiver Module - Vehicle Interface PCB	-
420/19G	Surface Mount Conversion Inserts (2 required per Bell Push)	Grey
420/19Y	Surface Mount Conversion Inserts (2 required per Bell Push)	Yellow
420VY-02	Yellow	Vertical

+44(0)161 337 3070
enquiries@bmac.ltd.uk



Units 13 & 14 Shepley Industrial Estate South | Shepley Road | Audenshaw | M34 5DW